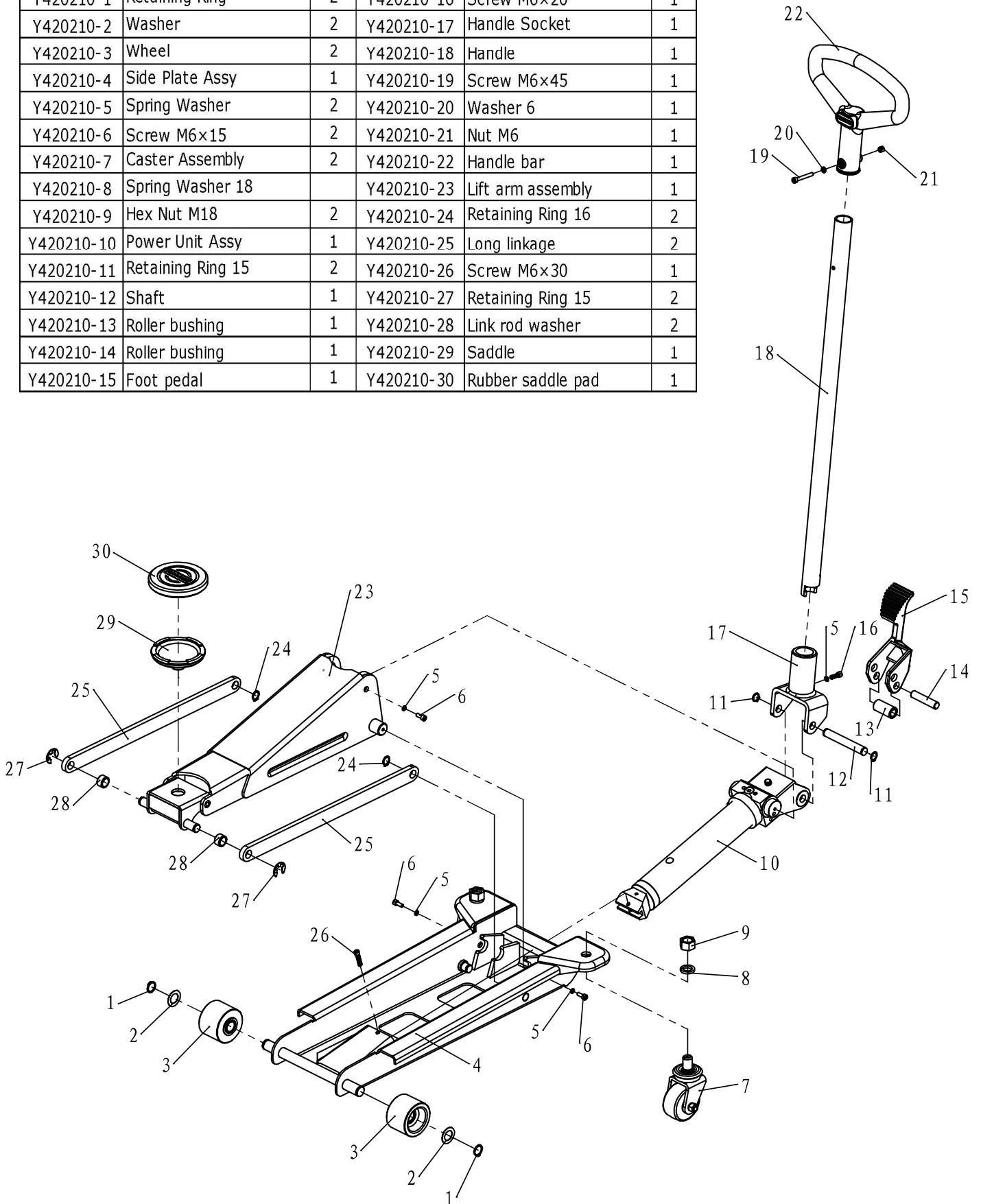


NO.	DESCRIPTION	QTY	NO.	DESCRIPTION	QTY
Y420210-1	Retaining Ring	2	Y420210-16	Screw M6×20	1
Y420210-2	Washer	2	Y420210-17	Handle Socket	1
Y420210-3	Wheel	2	Y420210-18	Handle	1
Y420210-4	Side Plate Assy	1	Y420210-19	Screw M6×45	1
Y420210-5	Spring Washer	2	Y420210-20	Washer 6	1
Y420210-6	Screw M6×15	2	Y420210-21	Nut M6	1
Y420210-7	Caster Assembly	2	Y420210-22	Handle bar	1
Y420210-8	Spring Washer 18		Y420210-23	Lift arm assembly	1
Y420210-9	Hex Nut M18	2	Y420210-24	Retaining Ring 16	2
Y420210-10	Power Unit Assy	1	Y420210-25	Long linkage	2
Y420210-11	Retaining Ring 15	2	Y420210-26	Screw M6×30	1
Y420210-12	Shaft	1	Y420210-27	Retaining Ring 15	2
Y420210-13	Roller bushing	1	Y420210-28	Link rod washer	2
Y420210-14	Roller bushing	1	Y420210-29	Saddle	1
Y420210-15	Foot pedal	1	Y420210-30	Rubber saddle pad	1



NO.	DESCRIPTIN	QTY	NO.	DESCRIPTIN	QTY
Y420210-PU1	Screw M6×6	1	Y420210-PU22	Spring washer	1
Y420210-PU2	Dust proof ring	1	Y420210-PU23	Washer	1
Y420210-PU3	Adaptor	1	Y420210-PU24	Pressure adjusting rod	1
Y420210-PU4	Tank nut	1	Y420210-PU25	O-ring	1
Y420210-PU5	O-ring	1	Y420210-PU26	Relief valve spring	1
Y420210-PU6	O-ring	2	Y420210-PU27	Safety valve	1
Y420210-PU7	Ram	1	Y420210-PU28	Ball	1
Y420210-PU8	Spring	1	Y420210-PU29	Piston	1
Y420210-PU9	Cylinder	1	Y420210-PU30	Spring	1
Y420210-PU10	Filler plug	1	Y420210-PU31	Copper washer	1
Y420210-PU11	U-ring	1	Y420210-PU32	Washer	2
Y420210-PU12	Ram header	1	Y420210-PU33	O-ring	1
Y420210-PU13	Fitting	1	Y420210-PU34	Screw	1
Y420210-PU14	Oil hose	1	Y420210-PU35	Pull stand	1
Y420210-PU15	Fitting	1	Y420210-PU36	Nut M5	2
Y420210-PU16	Bolt	1	Y420210-PU37	Pump core	1
Y420210-PU17	Ring	1	Y420210-PU38	"A" Dust proof ring	1
Y420210-PU18	Ball	1	Y420210-PU39	Seal washer	2
Y420210-PU19	Ball	5	Y420210-PU40	O-ring	2
Y420210-PU20	Screw	4	Y420210-PU41	Spring	1
Y420210-PU21	Bolt	1	Y420210-PU42	Valve base	1

